

Model: JSMA-PIH55AWK

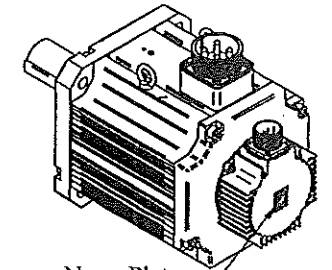
No.	Item	Symbol	Unit	Specification	No.	Item	Symbol	Unit	Specification
1	Drive	-	-	3 ϕ 220 VAC	13	Rotor Inertia	Jm	kg-cm ²	77.9 \pm 10%
2	Cooling Method	-	-	Totally Enclosed	14	Rated Power Rate	Q-R	Kw/s	158.15
3	Exciting Method	-	-	Permanent Magnet	15	Resistance	Ra	Ω	0.129 \pm 10%/2 ϕ
4	Resolution	-	-	23 BIT-ABS	16	Inductance	L	mH	3.2 \pm 10%/2 ϕ
5	Rated Output	P-R	W	5500	17	Mech. Time Constant	Tm	ms	0.97 \pm 10%
6	Rated Torque	T-R	N-m	35.1	18	Elect. Time Constant	Te	ms	24.9 \pm 10%
7	Max. Torque	T-max	N-m	87.75	19	Insulation Class	-	-	Class F
8	Rated Speed	N-R	rpm	1500	20	Operation Temp.	T	$^{\circ}$ C	0~40
9	Rated Current	I-R	A	29.5	21	Operation Humd.	RH	%	<80
10	Max. Current	I-max	A	70.3	22	Storage Temp.	T	$^{\circ}$ C	-20 $^{\circ}$ ~60 $^{\circ}$
11	Torque Constant	Kt	N-m/A	1.19 \pm 10%	23	Storage Humd.	RH	%	<80
12	Voltage Constant	Ke	V/krpm	79 \pm 10%	24	Weight	W	kgw	27.1

Pin	Signal
A	U
B	V
C	W
D	FG

Motor Wiring

PIN	Signal
B	+5V
I	0V
A	VB+
C	VB-
H	SD+
D	SD-
G	
E	
F	FG

Encoder Wiring



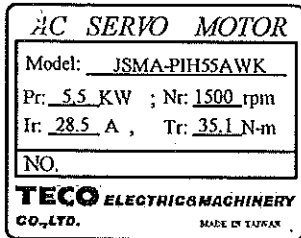
Name Plate for Notice

Military connector
MS3102A32-17P

Military connector
MS3102A20-18P

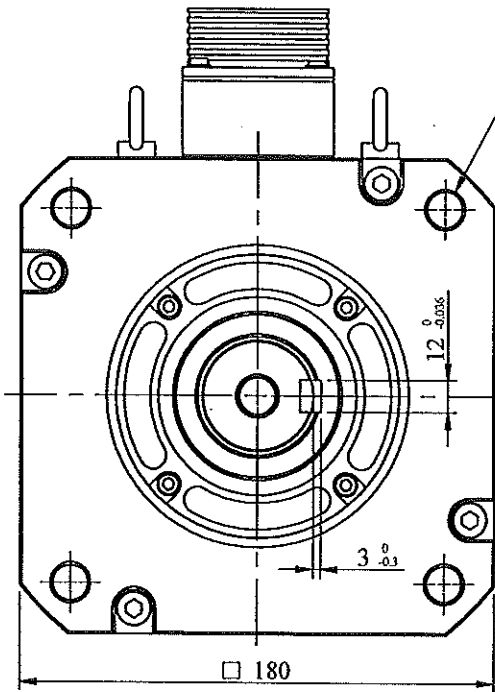


Name Plate for Notice

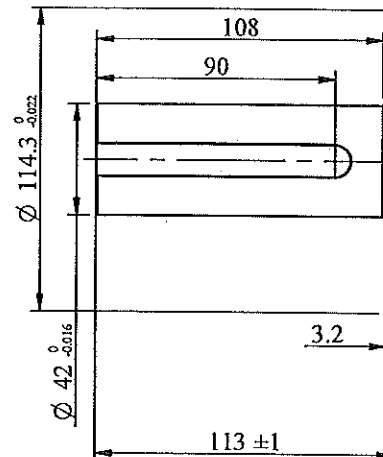


Name Plate for Spec

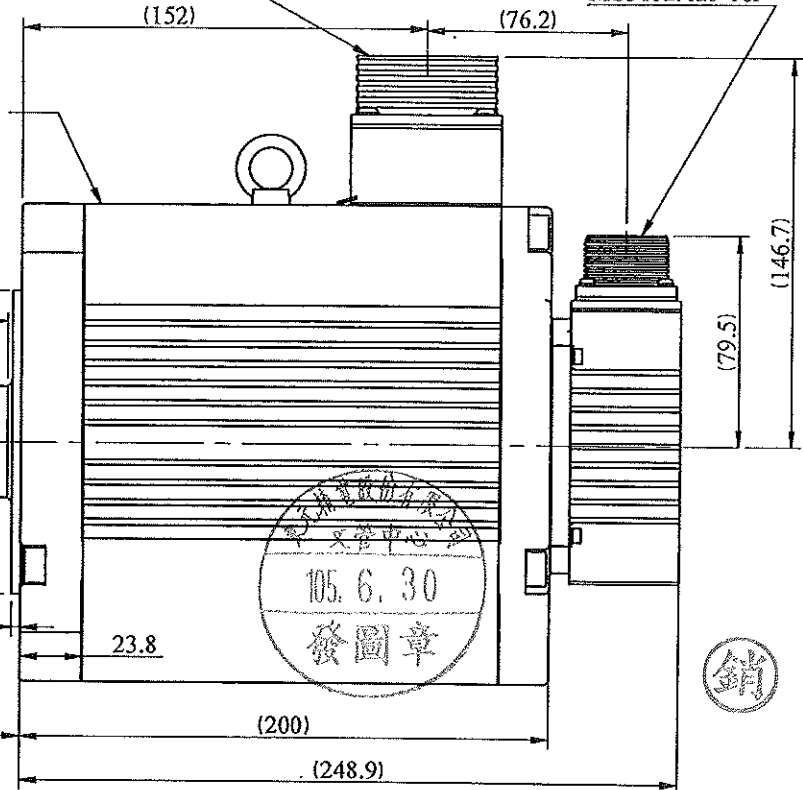
NOTE:
Motor to be IP67
(excluding the shaft opening & connectors)



4- ϕ 13.5
P.C.D. ϕ 200 \pm 0.1



Name Plate for Spec



STANDARD TOLERANCE

X	\pm 0.5
.X	\pm 0.2
.XX	\pm 0.05
ANGLE	\pm 30'

APVD	<i>Z</i>	<i>9/8/16</i>
CHKD	<i>Michelle</i>	<i>6-7-16</i>
CHKD		
DWN	Leon	05-26-'16

SCALE

UNIT

mm

NAME

Servo Motor Outline Drawing

3RD .A.P



TITLE

JSMA-PIH55AWK

MATERIAL	REV	DESCRIPTION	SIGNATURE	DATE

SIGNATURE	DATE

TECO ELECTRO DEVICES CO., LTD.

Dept. Design

DWG.NO.

D01B18552H3NRAD01